

Solidguard Wellglass BY950P



Sunny Sun
IGA
2017 Feb.

PHILIPS

Solidguard Wellglass BY950P



***Classic design, robust quality
Energy saving and long lifetime
Excellent optical design and free of maintain, provide you a safe and reliable
working environment***





Solidguarg Wellglass

BY950P 50W/30W



- *Design for reliable quality*

Design for Zone 1, zone 2, IIC/T6 ; IP66/WF2, outdoor application

- *Design for excellent lighting*

Optimized photometric curve, CRI>80, soft and uniform lighting surface

- *Design for energy saving*

Replace 70~150W halogen, energy saving up to 70%, 50K hrs lifetime

- *Design for easy installation*

Bracket & pole installation method for selection, keep customized solution for M type thread

PHILIPS

Application

150W/100W/70W halogen one to one replacement

Oil extraction plant



Oil & Gas refineries plant



Chemical plant



Power plant



Installation

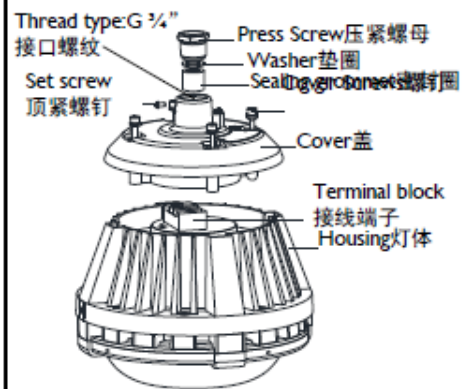
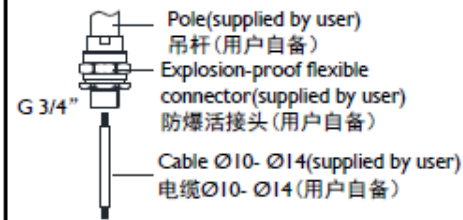
Bracket

Pole

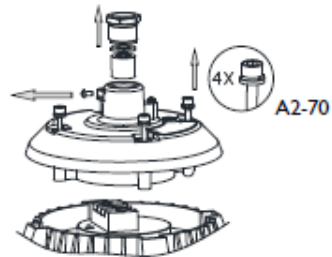


Mounting Instruction

Pole Mounting 吊杆安装

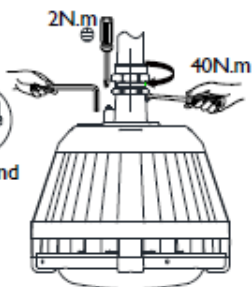


1 Take out washer and sealing grommet and open cover
 松开紧固螺钉及压紧螺母，将盖取下，取出垫圈、密封圈

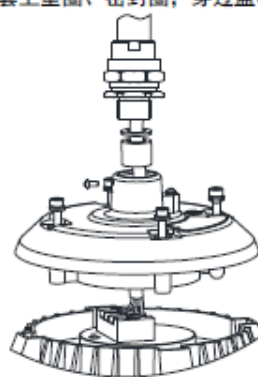


3 Fasten all screws and explosion-proof flexible gland; external earthing
 旋紧防爆活接头，拧紧螺钉，接好外接地

2N.m
40N.m
A2-70 4X 5N.m



2 Insert cable through washer, sealing grommet, cover; and connect to terminal block
 将电缆套上垫圈、密封圈，穿过盖与端子可靠连接

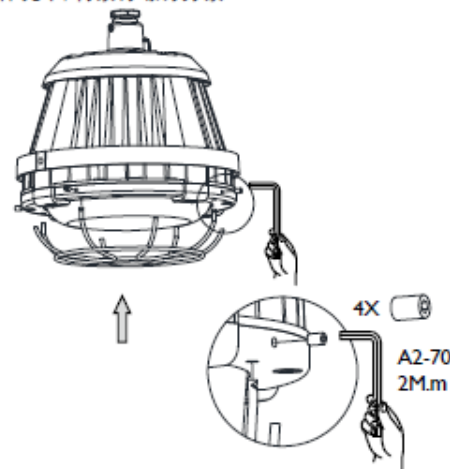


Cable 电缆	$\varnothing 10$ - $\varnothing 11$	$\varnothing 11$ - $\varnothing 14$
Sealing grommet 密封圈		Remove inner ring rubber 将中间圈拉出

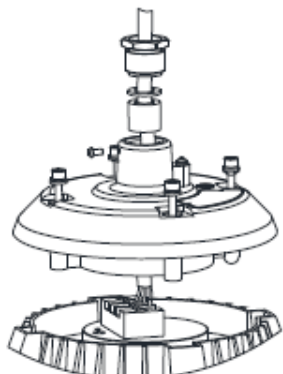
Wireguard Mounting

(Optional accessory)
 保护网安装 (选配)

Insert 4 pins with V-cut into housing, fasten the set screw in V-cut
 将保护网带“V”形槽的四个脚插入壳体孔中，将紧固螺钉拧紧



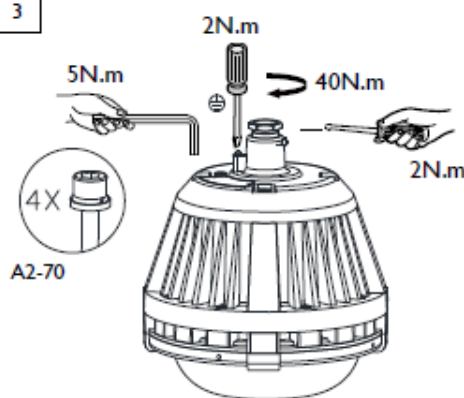
Bracket Mounting 支架安装



Step 1,2 see pole mounting 步骤1, 2同
 吊杆式安装 (活接头换成压紧螺母)

3 Fasten all screws and gland; external earthing
 旋紧压紧螺母，拧紧螺钉，接好外接地

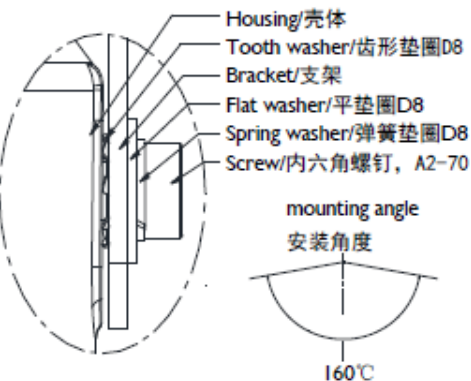
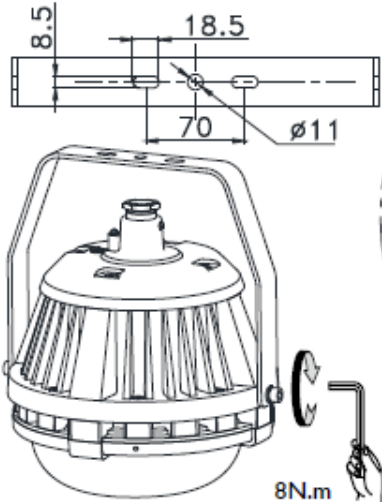
5N.m
2N.m
40N.m
2N.m
A2-70 4X



4

5 8 18.5 70 $\varnothing 11$

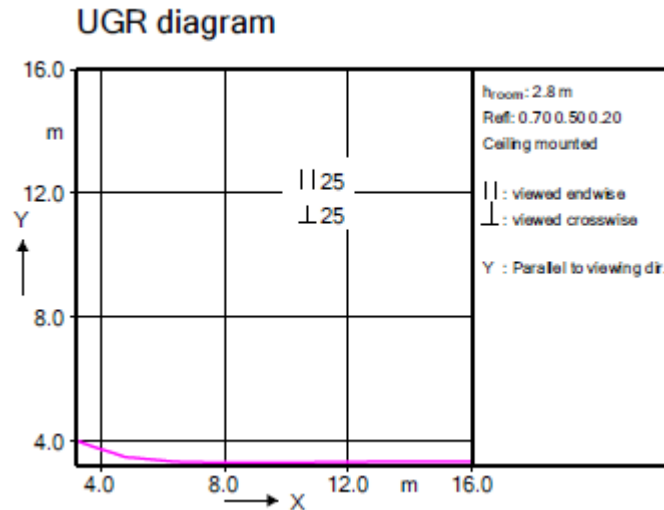
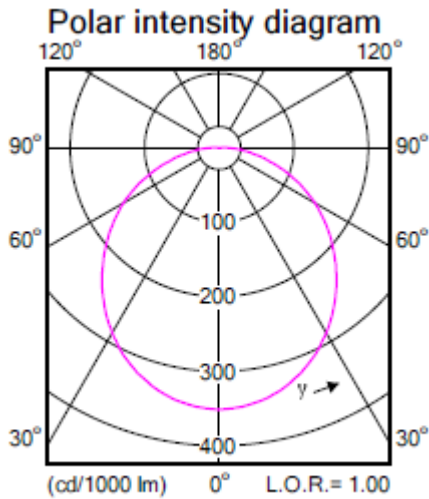
8N.m



Mounting bracket accessory, adjust the mounting angle, fasten screws
 安装支架套件，调整至需要的角度，拧紧螺钉

Photometric

- Low glare(UGR25/27), soft lighting surface, high lighting color index, create a safe and comfortable working environment for you.



Long lifetime & Energy Saving

70W/100W Halogen replacement

saving
60-70%

30W

80W

115W

BY950P LED30

70W/100W
Halogen



150W Halogen replacement

saving
70%

50W

170W

BY950P LED50

150W Halogen



Lifetime

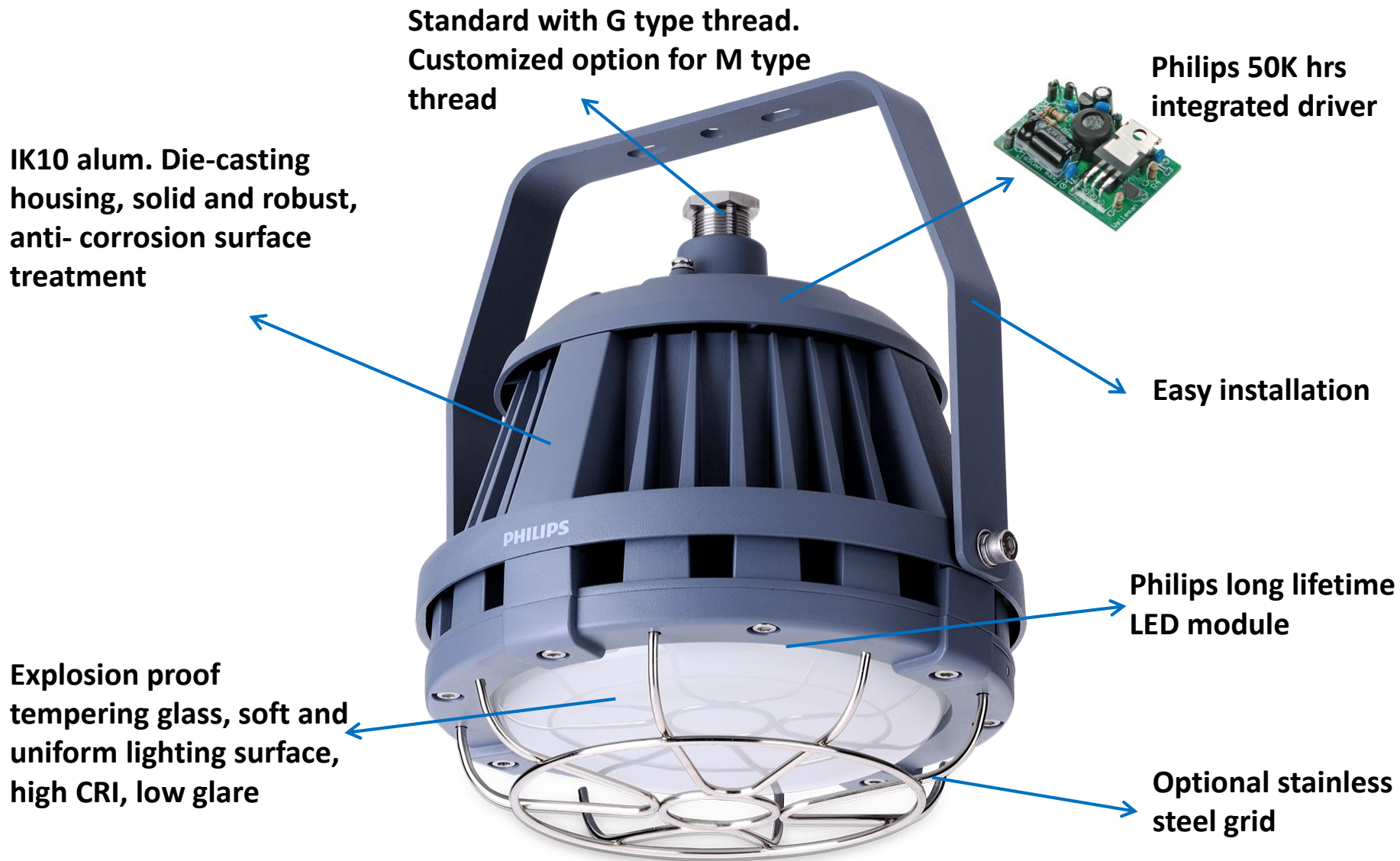
15000 hrs

50000 hrs



PHILIPS

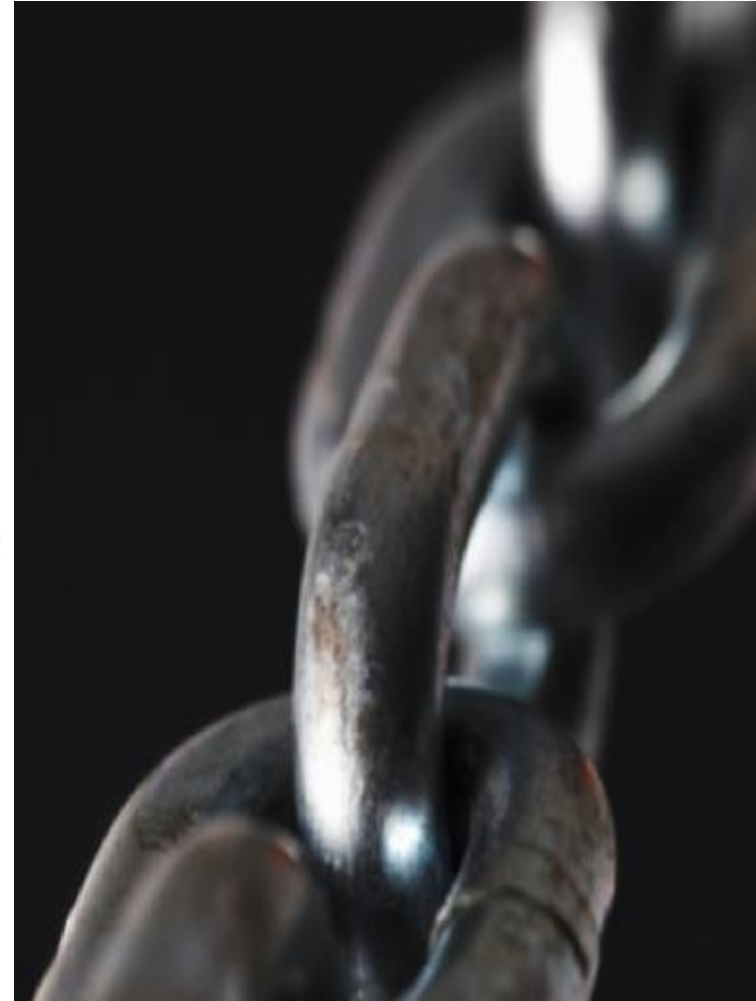
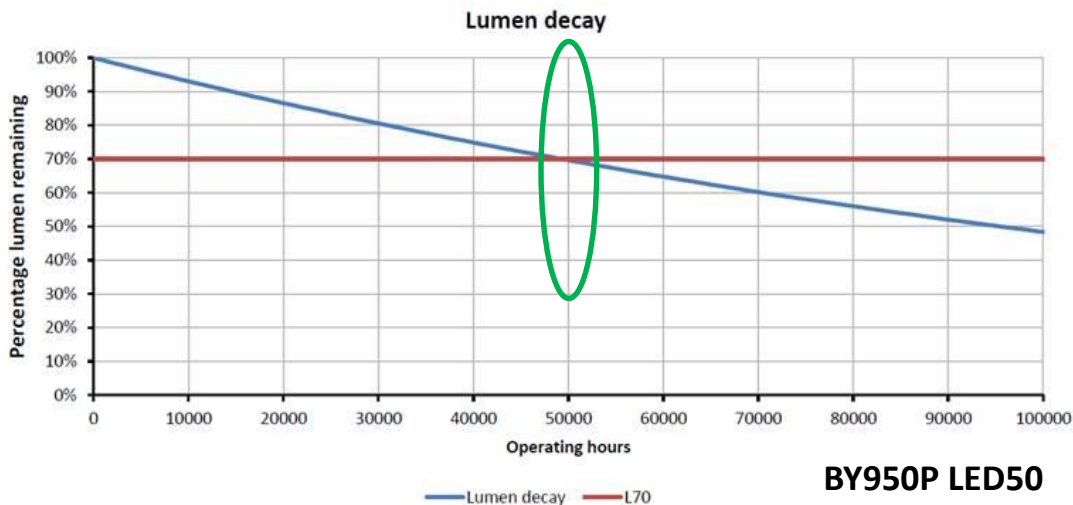
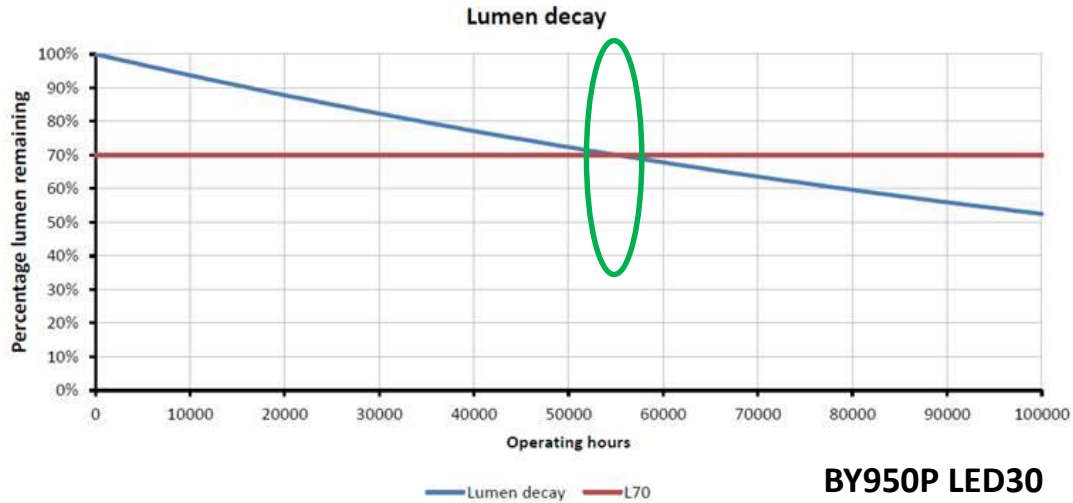
Product Details



Long lifetime: Safe and Reliable

- 5 year failure rate < 2.5%, lumen decay < 10%
- 50K hrs lifetime @L70

- Ta 35°C
- 12 hrs/day
- On/off switch 2 time/day



PHILIPS

Product Datasheet

Product	Solidguard Wellglass	
	BY950P LED explosion-proof	
CCT	Cool white & Nature white	
Explosionproof Type	d type	
Fire Damp/ Explosive gas type	IIA, B, C	
Temperature Grade	T6 (85°C)	
Power	50W	30W
Lumen	4550lm	2700lm
System Efficiency	90 lm/w	90 lm/w
Surge Protection	> 10 K V	
Power factor	> 0.9	
Input Voltage	220-240V, 50/60hz	
SDCM	<5	
CRI	>80	
Photometric	symmetrical	
Anti-corrosion Grade	WF2	
Working Temperature	-20°C ~ +45°C	
Safety Class	CLASS I	
IP Grade	IP66	
Lifetime	50 K hrs (L70B50)	
Explosion Grade	Ex d IIC T6 Gb Ex tD A21 IP66 T80°C	
Installation	Bracket, Pole	
Application	Indoor & Outdoor	

Product Order Information

Family Name: Solidguard Wellglass
Catalogue Family Code: BY950P
MAG/AG/CAG: B39649905
Configurator Family: PLS Shanghai 263024
Total 8 SKUs:

No.	12NC	Description
1	911401874199	BY950P LED50 L-B/CW LG EX
2	911401874299	BY950P LED30 L-B/CW LG EX
3	911401874399	BY950P LED50 L-B/NW LG EX
4	911401874499	BY950P LED30 L-B/NW LG EX

